

CJX7 Series AC Contactor

Common work condition and installing condition

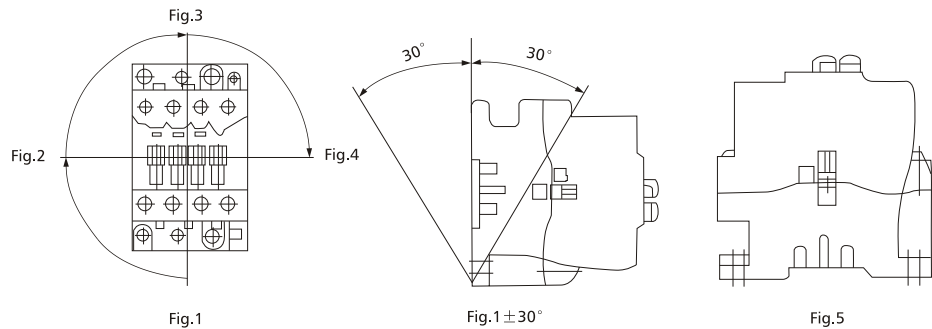


CJX7-26

- a. The installation Site elevation does not surpass 2000m;
- b. Ambient air temperature should not over +40°C, also not over +35°C with in 24h, the lower limit of ambient air temperature is -5°C;
- c. The air relative humidity at installation site should not over 50% when the maximum temperature is +40°C; the higher relative humidity are allowed under lower temperature, for example, 90% at 20°C, It must take the mesures on the product occuring dew because of the change of temperature.
- d. The installation site pollution class is 3;
- e. The contactor can be mounted vertically or horizontally. If vertically mounts, the gradient between the mounted surface and the perpendicular plans is not bigger than $\pm 30\%$; (See Fig 1)



CJX7-30



- 1) The installation site pollution class is 3

Technical parameter

The allowable application category of main circuit and the auxiliary circuit of the contactor and is's code see Table 1

Table 1 application category of main circuit and the auxiliary circuit of the contactor and it's code

Circuit	Application category code	Example of the typical usage
Main circuit	CJX7-1	Noninductive or the micro inductive load, resistance furnace
	CJX7-2	The starting and breaking of wire winding type asynchronous motor
	CJX7-3	The starting and breaking during operation of cage asynchronous motor
	CJX7-4	The starting, plug breaking or reverse revolution, spot moving of cage asynchronous motor
Auxiliary circuit	CJX7-15	Control AC electromagnet load(>72VA)
	CJX7-13	Control DC magnet load



CJX7-50

Contactor rated insulation voltage(Ui), reted working voltage(Ue), conventional free air heat current(Ith), rated operating current(Ie) and rated work rate see Table 2.